

REVISIONS					
ZONE	LTR	DESCRIPTION	ECO NO.	DATE	APPROVED
—	A	PROD REL	628	6 JAN 23	B. Ryan

TRANSIENT SUPPRESSOR SPECIFICATIONS

FOR 120VAC, 15A, 50/60Hz

MODEL ACP100BWN3

UNLESS OTHERWISE SPECIFIED, DIM. IN INCHES BEFORE PLATING.
 TOLERANCES ON: DECIMALS
 FRACTIONS=± 0.XX=±0.
 ANGLES= 0.XXX=±0.

DRAWN	R. WATSON	DATE	1-6-23
CHECKED	MLH	DATE	1/2/23
ENGRG APPD	BDR	DATE	6 JAN 23
PROJ APPD	MLH	DATE	1/2/23
APPROVED			

TRANSTECTOR®
SYSTEMS
 MONTEREY PARK, CALIF. 91754

ABSOLUTE TRANSIENT PROTECTION

TITLE	SPECIFICATION ACP100BWN3		
-------	-----------------------------	--	--

MATERIAL:

Master Document
 Do not remove if
 Stamp mark is blue

NOTICE: THE INFORMATION AND DESIGN CONTAINED HEREIN IS THE PROPERTY OF TRANSTECTOR SYSTEMS, WHO RESERVES ALL RIGHTS THERETO.

SIZE	FSCM	DRAWING NUMBER	REV
	30992	1400-181	A
SCALE=		SHEET 1 of 4	

1.0 **SCOPE:** This specification covers the detail requirements for a high-speed, solid-state transient suppressor designed to protect electronic equipment and systems from transient overvoltages.

2.0 **PURPOSE:** This device is to eliminate the damaging effects to equipment from transient overvoltages which can appear on grounded 120VAC, 15A, 50/60 Hz power lines.

3.0 **GENERAL DESCRIPTION:** The ACP100BWN3 is a solid-state transient suppressor for wire-in use on grounded 120VAC, 15A, 50/60Hz power lines. The ACP100BWN3 is both bi-polar and bi-directional; i.e., it can suppress transients of either polarity and from either direction. (source or load)

The ACP100BWN3 uses high speed silicon avalanche diodes as the suppression devices.

A fuse in series with the load will open if the suppressors fail due to excessive energy dissipation, and a normally "on" lamp will turn off, indicating loss of protection. Power will be off at the load.

4.0 **OPERATION:** When a transient overvoltage is sensed, the silicon avalanche diode (a passive, high-speed constant voltage device) goes into conduction while maintaining the voltage at a sufficiently low value to protect the attached equipment.

5.0 **PERFORMANCE REQUIREMENTS:**

5.1 **MECHANICAL:** The construction and physical characteristics of the suppressor are as outlined herein.

5.1.1 **Enclosure Description:** The suppressor is enclosed within a rigid plastic case made from UL recognized plastic. The enclosure has the physical measurements shown on sheet 4.

5.1.2 **Installation Requirements:** The ACP100BWN3 is intended to be installed inside of a user provided enclosure. A four position terminal strip is provided for power connections.

5.1.3 **Material:** The material shall be as specified herein. However, when a definite material is not specified, a material shall be used which shall enable the device to meet the performance specifications defined herein.

Master Document
Do not remove if
Stamp mark is blue

NOTICE: THE INFORMATION AND DESIGN CONTAINED HEREIN IS THE PROPERTY OF TRANSISTOR SYSTEMS, WHO RESERVES ALL RIGHTS THEREON.	SIZE	PSCN	DRAWING NUMBER	REV
	A	30992	1400-181	A
SCALE-			SHEET 2 of 4	

5.2 **ELECTRICAL:** The suppressor shall perform electrically within the conditions and specifications defined herein.

5.2.1 **Suppressor Voltage Level (Minimum):** The ACP100BWN3 has the following suppressor voltage level:

Hot to Neutral $\pm 220v \pm 5\%$

5.2.2 **Suppressor Voltage Level (Maximum):**

Hot to Neutral $\pm 330v$

5.2.3 **Peak Power Dissipation:** The peak power dissipation for a 1 x 1000 microsecond waveform is 12,000 watts.

5.2.4 **Response Time:** Less than 5 nanoseconds

5.2.5 **Standby Power:** Less than 0.5 watt

5.2.6 **Leakage Current:** Hot to Neutral @ 120vrms - less than 5 microamps.

5.3 **ENVIRONMENTAL:**

5.3.1 **Operating and Storage Temperature:** $-20^{\circ}C$ to $50^{\circ}C$

5.3.2 **Humidity:** Less than 95%

6.0 **PREPARATION FOR DELIVERY:** Domestic and short-term storage.

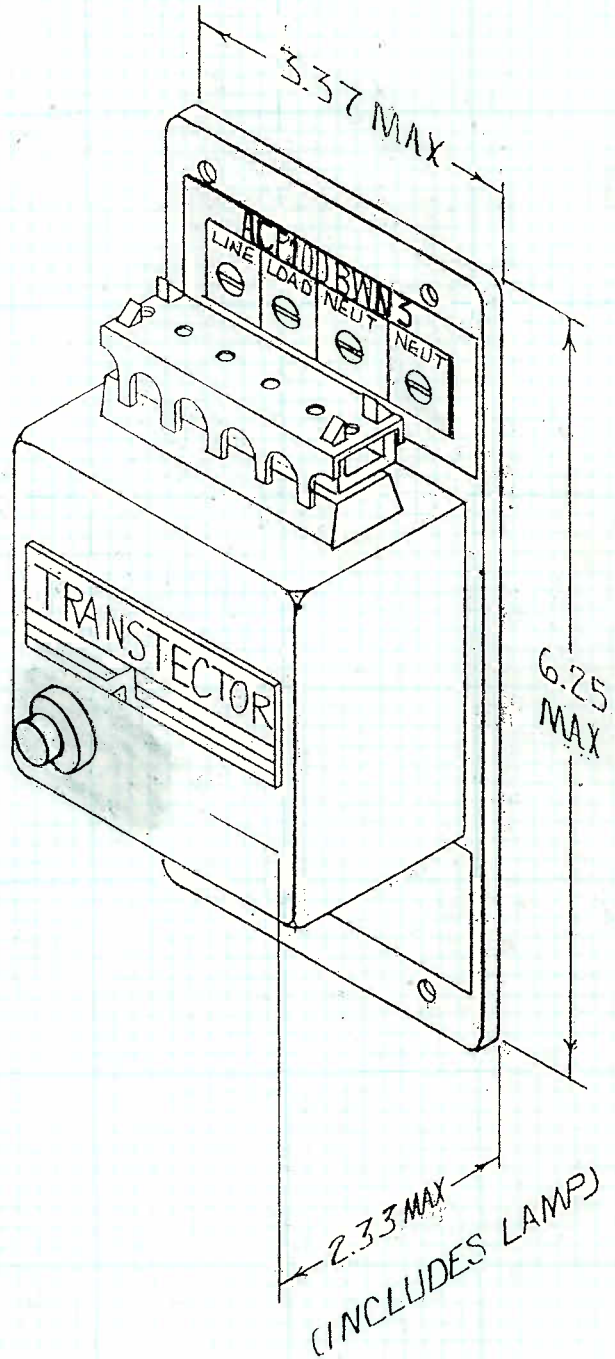
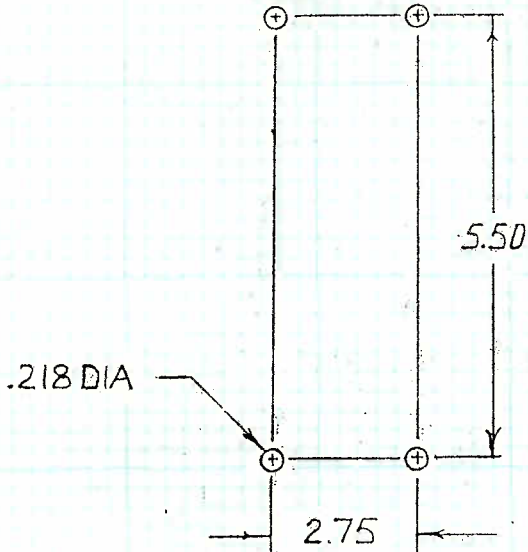
6.1 **PRESERVATION:** Preservation shall be sufficient to afford protection during shipment and short-term storage.

6.2 **PACKING:** Packing shall be accomplished in the manner which will insure acceptance by common carrier at the lowest rate and will afford protection against physical damage during shipment.

Internet Document
Do not remove if
Stamp mark is blue

NOTICE: THE INFORMATION AND DESIGN CONTAINED HEREIN IS THE PROPERTY OF TRANSECTOR SYSTEMS, WHO RESERVES ALL RIGHTS THEREOF.	SIZE	FSC#	DRAWING NUMBER	REV
	A	30992	1400-181	A
SCALE-			SHEET 3 of 4	

RECOMMENDED MOUNTING
HOLE PATTERN



MOUNT UNIT AS REQUIRED
—SEE PATTERN—

ACP100BWN3

Master Document
Do not remove if
Stamp mark is blue

NOTICE: THE INFORMATION
AND DESIGN CONTAINED HERE-
IN IS THE PROPERTY OF TRAN-
SECTOR SYSTEMS, WHO RE-
SERVES ALL RIGHTS THERETO.

SIZE A	FSCM 30992	DRAWING NUMBER 1400-181	REV A
SCALE= ~		SHEET 4 of 4	