

AC Surge Protection

DR Series

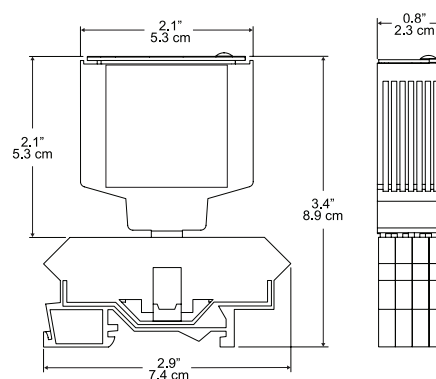
1451-021 Rev D



Modular, 120 Vac and 240 Vac single phase, silicon diode, DIN rail surge protection with visual and remote status indication

Features

- Non degrading, low clamping, leadless silicon diode primary protection
- Illuminated and connections for external relay status indication
- Line and load bidirectional protection
- Quick connect cage clamp 28 AWG to 12 AWG terminals



DR Model	DR 120	DR 240
Part Number	1101-346	1101-347

Performance

Voltage Configuration	120 Vac single phase	240 Vac single phase
Max Continuous Operating Voltage	140 Vrms	280 Vrms
Turn on Voltage	220 Vpk	440 Vpk
Voltage Protection Level	330 Vpk @ 500 A 6 kV 8/20 μ s L-N	660 Vpk @ 500 A 6 kV 8/20 μ s L-N
Max Surge Current	700 A @ 6 kV 8/20 μ s	600 A @ 6 kV 8/20 μ s

Mechanical

Terminal Type	Cage clamp 28 AWG to 12 AWG (25 mm ²)
Dimensions - H x W x D	2.9" x 0.8" x 3.4", 7.4 cm x 2.3 cm x 8.9 cm
Weight (Max) lb, kg	0.2, 0.1

Environmental

Humidity	95% non condensing
Operating Temperature	-40° C to +85° C