

DC Surge Protection

DRDC Series

1452-012 RevE



DRDC 24
1101-680

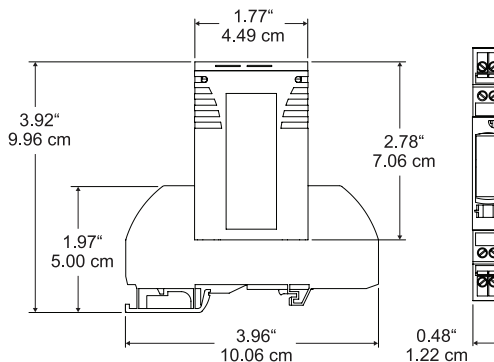
Silicon surge suppression for dc DIN rail mounted applications. DRDC series suppressors are approved for hazardous locations that require a rating of Class I Division II, Groups A, B, C and D

Features

- High performance silicon avalanche diode circuit protection
- DIN rail mounting
- Continuous bi-polar protection
- Screw terminals accept 28-12AWG
- Designed for quick removal from separate mounting base
- Two pair | four wire protection

Certifications

- UL 497B (except DRDC 70)
- FM Approvals Class I Division II US and Canada



DRDC Models	DRDC 7	DRDC 12	DRDC 24	DRDC 48	DRDC 70
Part Number	1101-678	1101-679	1101-680	1101-681	1101-724

Performance

Service Voltage	7 Vdc	12 Vdc	24 Vdc	48 Vdc	70 Vdc
Maximum Continuous Operating Voltage	13 Vdc	16 Vdc	32 Vdc	64 Vdc	118 Vdc
Protection Level 10/1000 μ s	20 Vdc @ 164 A	25 Vdc @ 134 A	50 V @ 134 A	100 V @ 134 A	165 V @ 66 A
Protection Level 8/20 μ s	25 Vdc @ 1.4 kA	30 Vdc @ 1.2 kA	60 Vdc @ 1.2 kA	120 Vdc @ 1.2 kA	185 V @ 600 A
Response Time	<5 nanoseconds				

Mechanical

Dimensions HxWxD	4.0" x 0.5" x 4.0" 10.1 cm x 1.3 cm x 10.0 cm
Weight	0.2 oz / 56.7 g
Input Output Connection	28-12 AWG Screw Terminal

Environmental

Operating Temperature	-40°C to +65°C
Humidity	95% non condensing