

DC Surge Protection

FSP 4000 MC Series

1453-005 RevC



FSP 4001 MC
1101-372-1

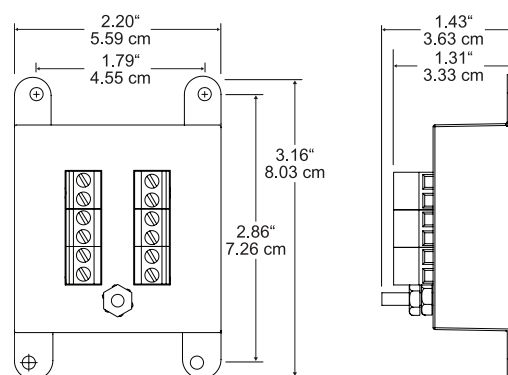
12 Vdc signal, silicon diode, three pair, equipment surge protector

Features

- Non degrading, low clamping, leadless silicon diode primary protection
- Line and load bidirectional protection
- Optimized for RS-422, RS-485 and 4-20 mA loop
- Protects up to three low speed data, power signal, or three differential pair signal lines

Options

- 24 Vdc configuration (Part Number 1101-372-2)
- 54 Vdc configuration (Part Number 1101-372-3)
- 280 Vdc configuration (Part Number 1101-372-6)



FSP Models	4001 MC	4003 MC	4004 MC	4005 MC	4005 MC-GT	4006 MC-GT
Part Number	1101-372-1	1101-372-3	1101-372-4	1101-372-5	1101-372-6	1101-372-7

Performance

Service Voltage	12 Vdc	52 Vdc	120 Vdc	280 Vdc	280 Vdc	325 Vdc
Voltage Protection Level 10/1000 μ s	22 V @ 67 A L-L, L-G	88 V @ 67 A L-L, L-G	153 V @ 21 A L-L, L-G	306 V @ 21 A L-L, L-G	306 V @ 21 A L-L, L-G	357 V @ 21 A L-L, L-G
Voltage Protection Level 8/20 μ s	26 V @ 600 A L-L, L-G	104 V @ 600 A L-L, L-G	200 V @ 200 A	200 V @ 200 A	500 V @ 10 kA L-L, L-G	700 V @ 10 kA L-L, L-G
Surge Current Rating 8/20 μ s	600 A	600 A	200 A	200 A	10 kA	10 kA
Response Time	<5 nanoseconds					

Mechanical

Input and Output Connections	6 position screw terminal block
Dimensions HxWxD	3.2" x 2.2" x 1.5" 8.1 cm x 5.6 cm x 3.7 cm
Weight	0.2 lbs / 0.1 kg

Environmental

Operating Temperature	-20°C to +85°C
-----------------------	----------------