

VMP036

JUMBO TELEVISION MOUNTS

PRODUCT FEATURES

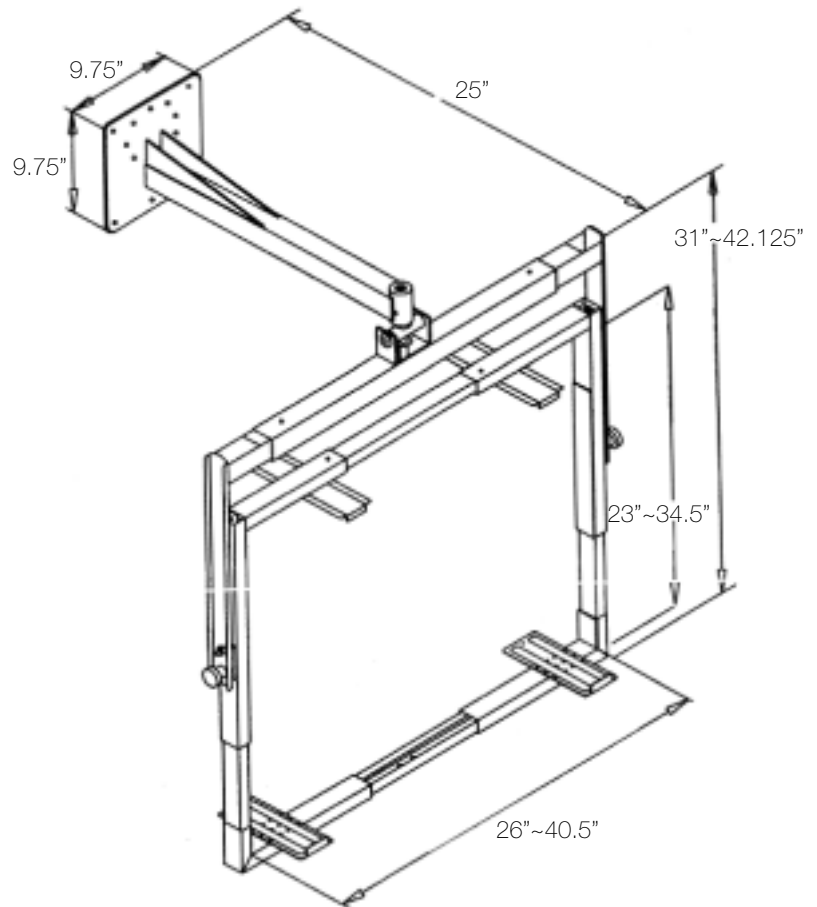
JUMBO WALL MOUNT

- rotates 260° and has adjustable 0–15° tilt
- opens from 26.75"–40.5" (left to right)
- opens from 23.5"–34.5" (top to bottom)
- holds most tv's/monitors 30"–37"
- maximum monitor depth 27"
- load capacity 300 lbs.
- black finish

PRODUCT SPECIFICATIONS

FOR ARCHITECTS & ENGINEERS

The ceiling mount for the TV/monitor shall be a Video Mount Products (VMP) model VMP036. The monitor mount shall be constructed primarily of tubular steel and shall incorporate nylon filled nuts, and arc welds. The monitor mount shall be designed to allow adjustable tilt up to a maximum of 15° and must swivel 260°. The monitor mount shall have adjustable dimensions capable of holding a TV/monitor with screen sizes from 30" to 37". The mount shall adjust 26.75" to 34.5" (left to right) and open 23.5" to 40.5" (top to bottom). The monitor mount shall have an integrated clamping mechanism that will secure the monitor on all sides. The load capacity shall be 300 lbs. The monitor mount shall be UL listed in the United States and Canada.



VMP Mounting Systems for
Video, Audio & Security
Video Mount Products



Video Mount Products
325 Log Canoe Circle
Stevensville, Maryland 21666
Phone 410.643.6390 Facsimile 410.643.6615
Website www.videomount.com

MOUNTING SYSTEMS FOR AUDIO, VIDEO & SECURITY